



SMCWBR14S-N4

Barricade™ N 150Mbps Wireless 4-port Broadband Router

OVERVIEW

The Barricade™ N 150Mbps Wireless Broadband Router (SMCWBR14S-N4) is the perfect all-in-one networking solution for connecting and sharing your high speed cable/xDSL internet connection. Designed for the home, this platform independent multi-functional router combines a 4-port 10/100 LAN switch, 150Mbps Wireless-N access point, NAT firewall with Stateful Packet Inspection (SPI) and User friendly web-based management interface in one convenient device.

SMCWBR14S-N4 provides better performance than existing 802.11g technology and is fully backwards compatible with existing 802.11b/g products. It supports the latest WPA and WPA2 wireless encryption standards, which prevent unauthorized access to wireless networks and ensure data is secure. Wireless security can also be set up easily using Wi-Fi Protected Setup™ (WPS) that enables push button (PBC) or PIN configuration.



The integrated NAT firewall with SPI provides protection from hackers and Denial of Service attacks by analyzing individual data packets, to ensure that only authorized packets are allowed access to the network. Using the Access Control feature parents or network administrators can block certain websites, limit web access based on time or dates, and/or block internet access for applications like P2P utilities or games. Finally, configuration of your internet connection and advanced router functions is made simple and straightforward with the EZ™ Installation Wizard and intuitive web-based management interface.

KEY FEATURES

Share your high speed cable/xDSL internet connection

Simply connect your cable or xDSL modem with Ethernet connection to the 10/100 WAN port for instant always on internet.

4-port 10/100 LAN switch with auto MDI-MDIX

Directly connect four computers or expand your network by connecting additional switches. Auto MDI-MDIX means you do not need to worry about cross-over cables.

WPA/WPA2 Encryption

Prevents unauthorized access to your wireless network and ensures your data is secure.

Built-in Wireless-N 150Mbps access point

Provides better performance and coverage than existing 802.11g technology.

NAT firewall with Stateful Packet Inspection (SPI)

Provides protection from hackers and Denial of Service attacks by analyzing individual data packets, to ensure that only authorized packets are allowed access to your network.

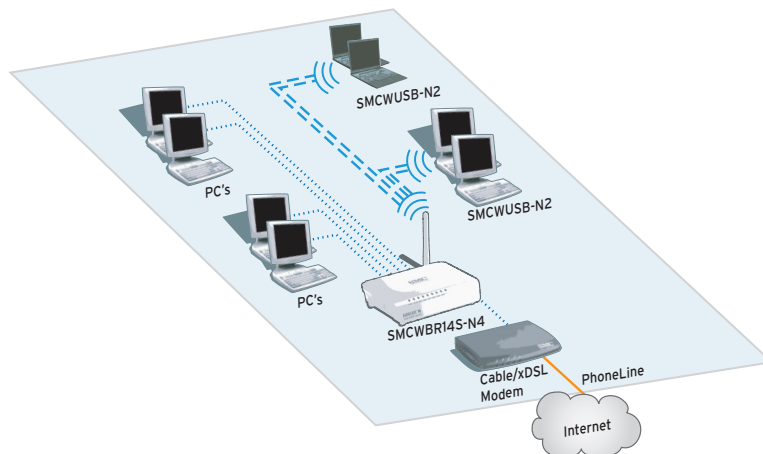
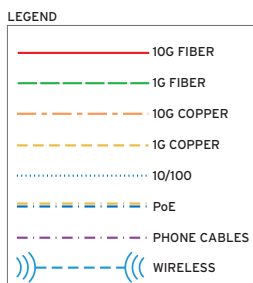
Wi-Fi Protected Setup™ (WPS)

Makes wireless security setup easy with push button and PIN configuration methods.

Web-Based management interface

Simple and straightforward set-up with the intuitive web-based management interface and EZ™ Installation Wizard.

APPLICATION DIAGRAM



TECH SPECS - SMCWBR14S-N4

PHYSICAL

- One 10/100Mbps WAN port
- 4-port 10/100Mbps LAN switch
- One external fixed 2dBi antenna
- WPS button
- Reset button

LED INDICATORS:

- Power
- LAN (Ethernet Link/Activity)
- WAN (Ethernet Link/Activity)
- WLAN (Wireless Link/ Activity)
- WPS (WPS in progress)

MANAGEMENT FEATURES

- EZ Installation Wizard
- Web based management interface (HTTP)
- Remote management
- SNTP time synchronize
- UPnP
- Firmware upgrade via web-interface

SECURITY FEATURES

- NAT Firewall with SPI
- Intrusion Detection
- Access Control
- MAC, IP and Port filter
- DMZ Host
- SSID Broadcast disable
- Wireless MAC address Filtering
- WEP 64-/128-bit Encryption
- WPA-/WPA2-PSK (Pre-shared Key, TKIP, AES)
- WPA/WPA2 Enterprise mode (802.1x)
- WiFi Protected Setup (WPS, PBC and PIN method)

ROUTER FEATURES

- Shares high speed cable/xDSL internet connection
- 4-port 10/100 LAN switch with auto MDI-MDIX
- Built-in Wireless-N (11n) access point
- Static Routing
- Dynamic routing supporting RIP v1/v2
- NAT
- NAPT
- 802.11e WMM
- IGMP Proxy
- Dynamic DNS
- DNS Proxy
- Virtual Server
- DHCP Server

STANDARDS

- Wired
 - IEEE 802.3 (10Base-T)
 - IEEE 802.3u (100Base-TX)
- Wireless
 - IEEE 802.11n
 - IEEE 802.11g
 - IEEE 802.11b

OPERATING FREQUENCY

- FCC: 2412~2462MHz (Ch1~Ch11)
- ETSI: 2412~2472MHz (Ch1~Ch13)
- Japan: 2412~2484MHz (Ch1~Ch14)
- TX Output Power:(Typical)
 - 802.11n: 17 +/- 1 dBm
 - 802.11g: 17 +/- 1 dBm
 - 802.11b: 20 +/- 1 dBm

TEMPERATURE

- Operating: 0°C to 40°C (32°F to 104°F)
- Storage: -20°C to 60°C (-4°F to 140°F)

HUMIDITY

- Operating: 10% to 85% Non-Condensing
- Storage: 5% to 90% Non-Condensing

DIMENSIONS

- 90.8 x 135.5 x 28.5mm
- 3.6 x 5.3 x 1in

UPGRADE METHOD

- Web

WEIGHT

- 157g
- 5.5oz

POWER INPUT

- Input: 110 or 240 VAC, 50-60 Hz
- Output: 5V/ 1A

SYSTEM REQUIREMENTS

- Broadband (Cable/xDSL) Internet service and modem with Ethernet connection.
- 2.4GHz 802.11n wireless adapter or 2.4GHz 802.11b/g Wireless adapter installed on each PC. Alternatively an Ethernet adapter can be used.
- Internet Explorer 5.5 or above, Mozilla Firefox 1.0 or above
- We recommend using this product with the SMCWCB-N2, SMCWPCI-N2 and SMCWUSB-N2 wireless adapters

PACKAGE CONTENTS

- SMCWBR14S-N4
- Power adapter, 5V 1A
- RJ45 cable
- QIG
- EZ Installation & Documentation CD
- Warranty information card

WARRANTY

- Please check www.smc.com for the warranty terms in your country/region.

CONTACT

North America
 20 Mason
 Irvine, CA 92618
 1-800-SMC-4YOU
 24/7 Technical Support

Europe/Africa
 Fructuos Gelabert 6-8
 08970 Sant Joan Despí
 Barcelona, Spain

Check www.smc.com for your local country contact information

© 2009 SMC Networks. SMC and the SMC logo are registered trademarks of SMC Networks in the United States or other countries. Other trademarks or registered trademarks are the property of their respective owners. Information is subject to change without notice. All rights reserved.

02/2010